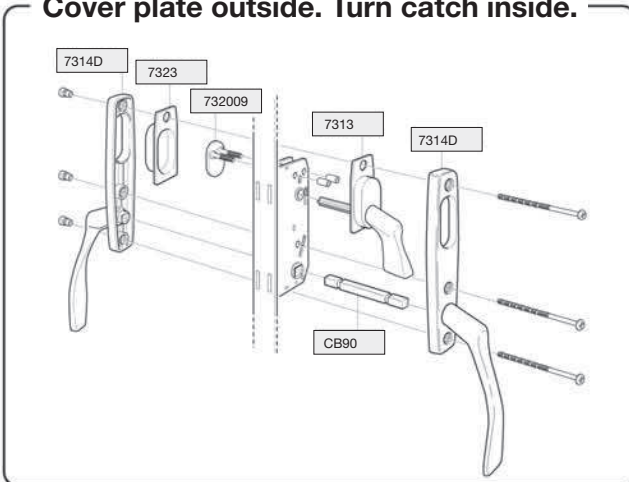
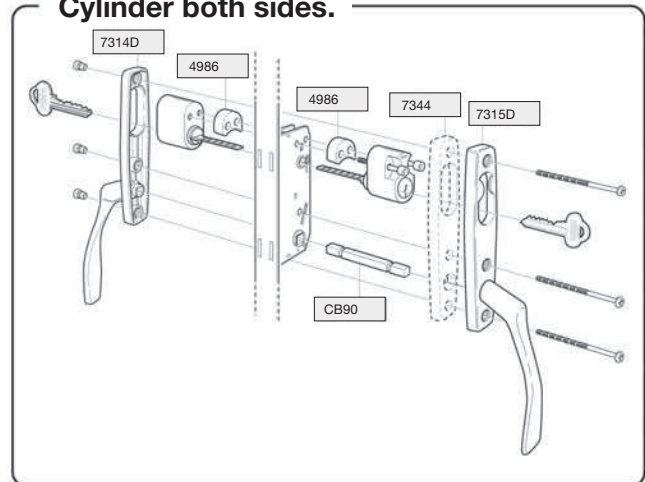


# Mounting examples lockable espagnolettes with handle kit Vinga 7314D/7315D suitable for spindle with brake slots (item no. CB90) for single sash.

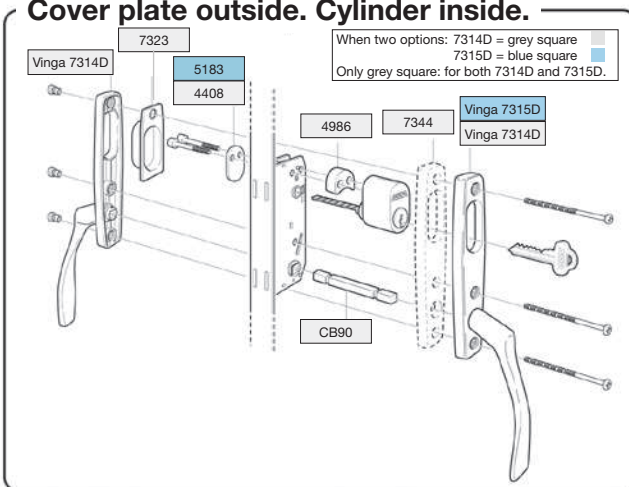
**Cover plate outside. Turn catch inside.**



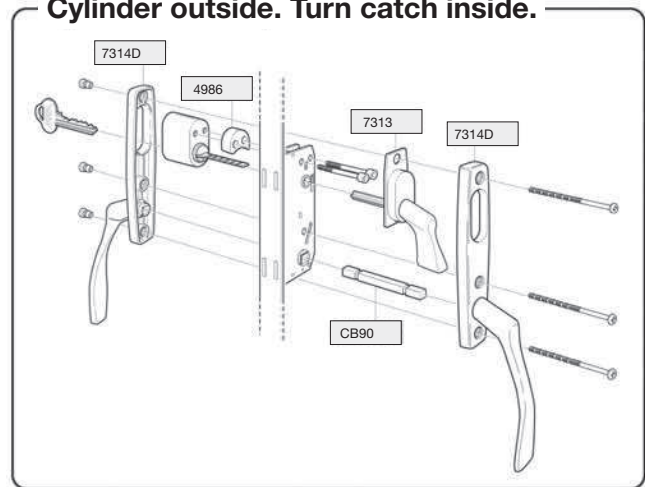
**Cylinder both sides.**



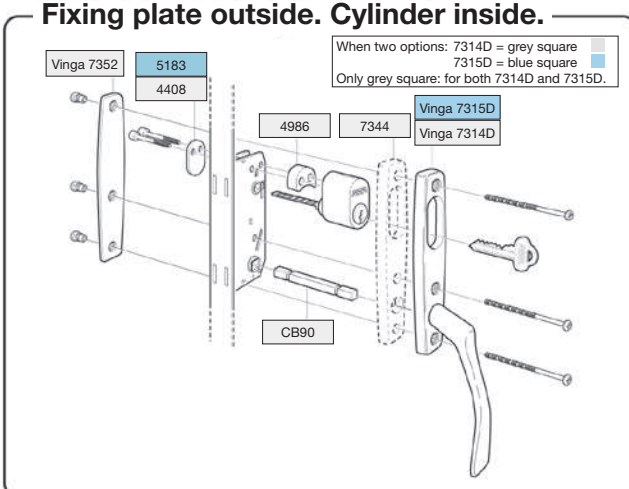
**Cover plate outside. Cylinder inside.**



**Cylinder outside. Turn catch inside.**



**Fixing plate outside. Cylinder inside.**



**Door thickness**

- 49-54
- 54-59
- 59-64
- 64-69
- 69-74
- 74-79
- 79-84
- 84-89
- 89-94
- 94-99

**Spindle**

- CB90 0800
- CB90 0850
- CB90 0900
- CB90 0950
- CB90 1000
- CB90 1050
- CB90 1100
- CB90 1150
- CB90 1200
- CB90 1250