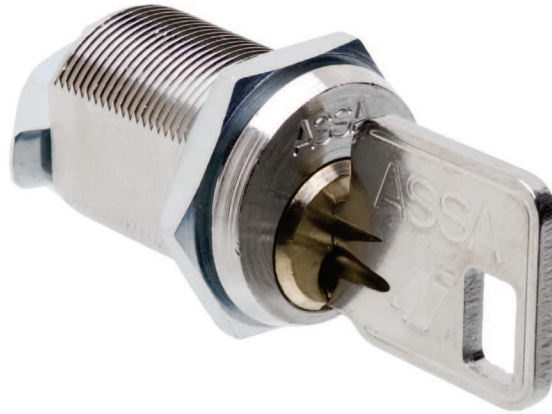


Assa 10450

NORMAL
SECURITY



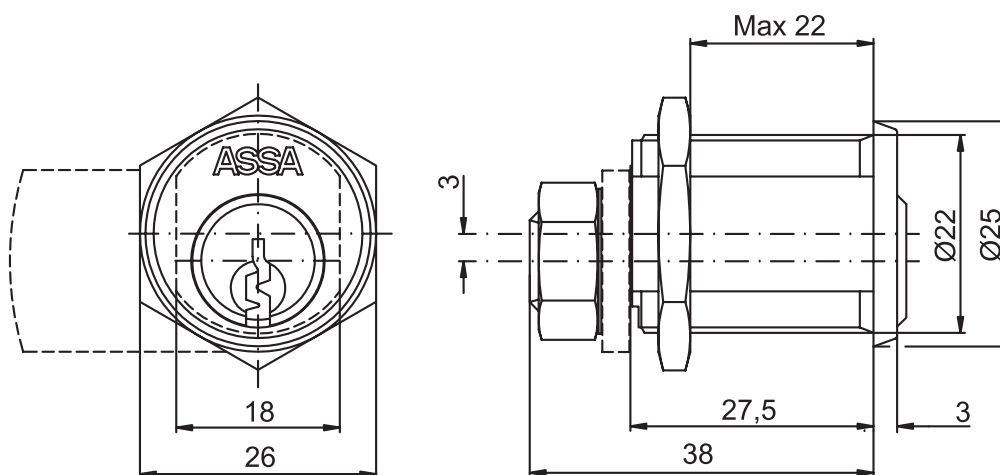
Performance

5-pin heavy duty cylinder lock for material thickness up to 22 mm. Cylinders and keys of nickel plated brass. Large selection of 3 mm thick catches. Can be master keyed.

Function

The key turns 90° and can only be removed in when the catch is in the locked position. Right hand turning as standard and left hand is available on request.

Dimension

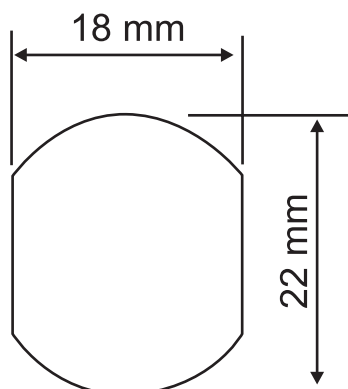


ASSA[®]

NORMAL
SECURITY

Assa 10450

Hole preparation



Included in part no: 492214 000 002

Part	Part no	Material	Finish
2 keys	491155 000 002	Brass	Nickel plated
Large nut	490610 900 057	Steel	Zinc plated
Small nut	491439 900 057	Steel	Zinc plated
Stop washer	492069 900 002	Brass	Nickel plated
Locking washer	490246 900 057	Steel	Zinc plated

Notes

Cylinder house: Nickel plated brass

Cylinder: Brass

Accessories see data sheet "Accessories"

Catches see data sheet "Spare Parts"

ASSA[®]

An ASSA ABLOY Group company

ASSA ABLOY

Assa Industri AB, Kungsgatan 71, Box 371, 631 05 Eskilstuna, Tel: +46-16 17 70 00, Fax: +46-16 17 70 18
Assa Industri AB, Bergstigen 8, Box 540, 921 28 Lycksele, Tel: +46-950 231 30, Fax: +46-950 231 31